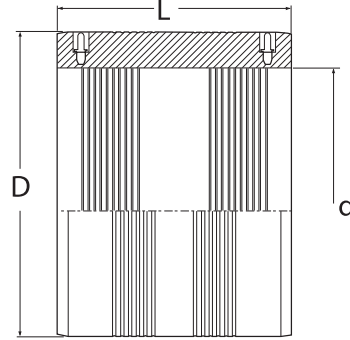


**EF COUPLER / EF MANŞON**  
SDR 17 PE100  
GAS / GAZ: 4 BAR  
WATER / SU: 10 BAR



d	CODE	Kg.	D (mm)	L (mm)	box sizes	nos/box
200	30.MA1.00.17.0200	2,30	235	200	60*40*45	4
225	30.MA1.00.17.0225	3,12	265	200	60*40*30	2
250	30.MA1.00.17.0250	3,90	295	210	60*40*30	2
280	30.MA1.00.17.0280	5,20	330	220	60*40*45	2
315	30.MA1.00.17.0315	6,90	365	230	60*40*45	2
355	30.MA1.00.17.0355	10,31	415	255	60*40*45	2
400*	30.MA1.00.17.0400	14,50	470	300	60*60*33	1
450*	30.MA1.00.17.0450	20,75	530	320	60*60*33	1
500*	30.MA1.00.17.0500	30,15	590	365	**	
560*	30.MA1.00.17.0560	36,50	655	400	**	
630*	30.MA1.00.17.0630	50,00	740	420	**	
710*	30.MA1.00.17.0710	70,00	840	445	**	
800*	30.MA1.00.17.0800	86,30	935	470	**	
900*	30.MA1.00.17.0900	114,00	1050	500	**	
1000*	30.MA1.00.17.1000	147,50	1175	500	**	
1200*	30.MA1.00.17.1200	170,50	1371	500	**	
1400*	30.MA1.00.17.1400	255,30	1600	550	**	
1600*	30.MA1.00.17.1600	348,00	1829	575	**	

\* Manşonun her iki tarafı ayrı kaynak olmaktadır. (2 ends of coupler fused separately)

\*\* No box is used. Only Euro pallets are being used.